



TECLINE

THE PERFECT
CONFIGURATION

[V-SERIES REGULATORS]
[EN250: 2014 CE1463]



Photo: MICHAL SEVECEK

TECLINE V-SERIES REGULATORS

[QUALITY | RELIABILITY | SIMPLICITY]



EN250: 2014 CE1463

Photo: MICHAL SIBECKI

DESIGNED, TESTED AND CERTIFIED
ACCORDING TO THE WORLD'S HIGHEST STANDARDS:

[Q]

EN 250: 2014 CE1463

GUARANTEE OF SAFETY AND THE HIGHEST
QUALITY OF DIVE REGULATORS

HIGH GAS-FLOW RATE

LOW BREATHING RESISTANCE

FREEZING PROTECTION SYSTEM

- 1ST stages: dry chambers, cold kits
& new innovative construction
- 2ND stages: radiators, teflon coating
of metal parts

TOP QUALITY MATERIALS

RESISTANT TO EXTREME CONDITIONS:

- THERMAL (tested in -30°C / +70°C)
- MECHANICAL
- CHEMICAL

[R]

SIMPLE, MINIMALISTIC, LOGICAL CONSTRUCTION

[S]

SUITABLE FOR BEGINNERS - APPRECIATED BY
TECHNICAL DIVERS AND INSTRUCTORS

EASY TO MAINTAIN

V1 ICE 1ST STAGE FOR SINGLE TANKS

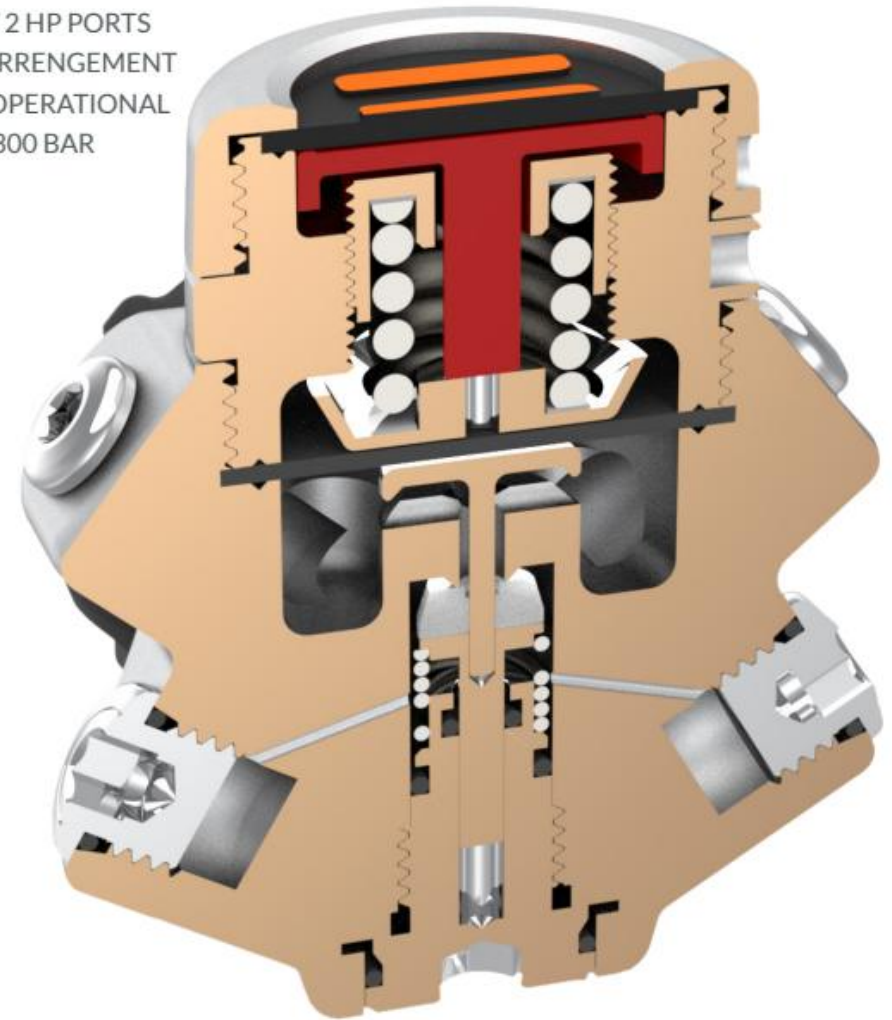
[TECHNICAL DATA]

- SMOOTH BREATHING IN ALL CONDITIONS
- PERFECTLY STREAMLINED CONFIGURATION
- HEAD-UP & BETTER POSITION IN THE WATER

- EN 250: 2014 CERTIFIED - WORLD'S HIGHEST QUALITY RATING FOR SCUBA REGULATORS
- MATERIAL : MARITIME BRONZE
- WEIGHT: 813G
- BALANCED DIAPHRAGM
- DRY CHAMBER AND COLD KIT
- 4 LP PORTS / 2 HP PORTS
- V - HOSES ARRANGEMENT
- MAXIMUM OPERATIONAL PRESSURE: 300 BAR



[10 YEARS WARRANTY]



[EN250: 2014 CE1463]

V2 ICE 1ST STAGES FOR TWINSET CONFIGURATIONS

- SMOOTH BREATHING DURING THE MOST DEMANDING EXPLORATIONS
 - PERFECTLY STREAMLINED HOSES + EASY VALVE ACCESS
 - FREE SPACE BEHIND THE HEAD + BETTER POSITION

TECHNICAL PARAMETERS
ARE THE SAME AS FOR
V1 1ST STAGE

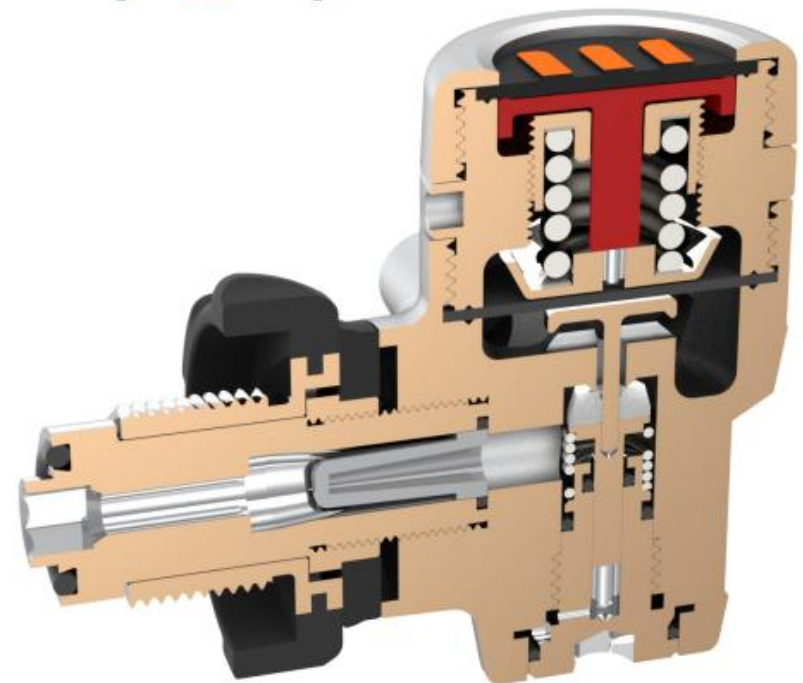
DIFFERENCE:

2 LP PORTS / 1 HP PORT
WEIGHT: 790G



[LEFT & RIGHT]

HOSE ROUTING
DEDICATED FOR TWINSET
CONFIGURATIONS



[EN250: 2014 CE1463]

[10 YEARS WARRANTY]

TEC 2 IIND STAGE

[TECHNICAL DATA]

- INNOVATIVE CONSTRUCTION = BETTER BREATHING COMFORT
- MINIMALISTIC DESIGN = RELIABILITY IN ALL CONDITIONS, CONVENIENT MAINTENANCE
- ROBUST MATERIALS = TEMPERATURE, MECHANICAL & CHEMICAL RESISTANCE

- EN 250: 2014 CERTIFIED
- WORLD'S HIGHEST QUALITY RATING FOR SCUBA REGULATORS
- PNEUMATICALLY BALANCED
- VENTURI EFFECT ADJUSTMENT
- BREATHING RESISTANCE ADJUSTMENT KNOB
- DFS: DIRECT FLOW SYSTEM

- BODY MADE OF MATERIALS RESISTANT FOR BIG TEMPERATURE CHANGES
- OUTER RING STAINLESS STEEL
- TEFLON COATING OF METAL PARTS
- ADDITIONAL HEAT EXCHANGER FOR COLD WATERS
- WEIGHT: 260G
- ERGONOMIC MOUTHPIECE



[10 YEARS WARRANTY]

[EN250: 2014 CE1463]



TECLINE

[THE PERFECT CONFIGURATION]

[EN250: 2014 CE1463]

Photo: TOMASZ PŁOCIŃSKI

[EN250: 2014 CE1463]



[RECOMMENDED SETS]

[RECOMMENDED SETS]

[THE PERFECT CONFIGURATION]

*ALL SETS CAN BE PERSONALIZED WITH CUSTOM HOSES IN DIFFERENT LENGTH, COLOR AND MATERIAL:

RUBBER, PROFLEX, KEVLAR AVAILABLE IN COLORS



FOR MORE DETAILS ASK YOUR LOCAL **TECLINE** DEALER



V1 ICE SET

[T15210]

V1 ICE 1ST STAGE



TEC 2 2ND STAGE



STANDARD HOSE*:
- LP 0,63M PROFLEX
EXTRAS:
- TECLINE BAG-RED

V1 ICE+OCTO SET

[T15220]

V1 ICE 1ST STAGE



TEC 2 2ND STAGE



OCTO



STANDARD HOSES*:
- LP 0,63M PROFLEX
- LP 0,90M PROFLEX YELLOW
EXTRAS:
- TECLINE BAG-RED

[EN250: 2014 CE1463]

[DEDICATED FOR: SINGLE TANKS, MONO-VALVE 

V1 ICE SEMITEC I

[T15250]

V1 ICE 1ST STAGE



[EN250: 2014 CE1463]

STANDARD HOSES:

- LP 0,61M PROFLEX
- LP 1,93M PROFLEX
- HP XTR 0,60M

EXTRAS:

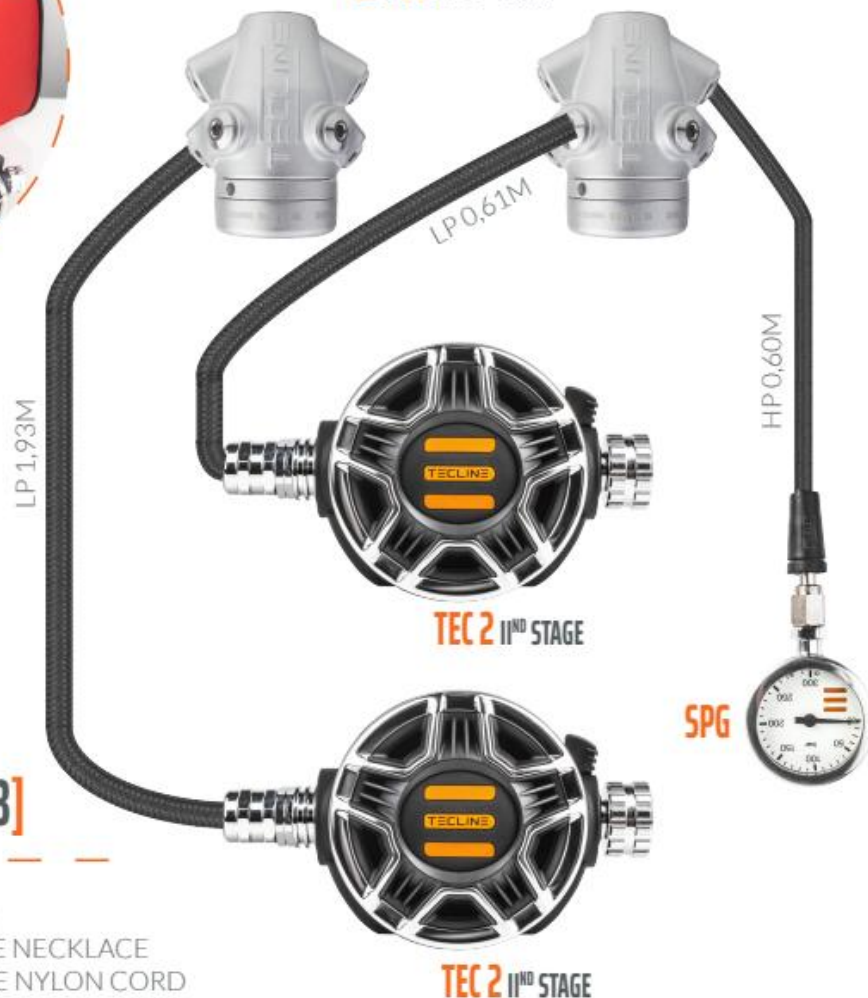
- BUNGEE NECKLACE
- ORANGE NYLON CORD
- 2x BOLT-SNAP 88 MM
- TECLINE BAG

[DEDICATED FOR: SINGLE TANKS, MONO-VALVE 

V1 ICE SEMITEC II*

[T15260]

2 X V1 ICE 1ST STAGE

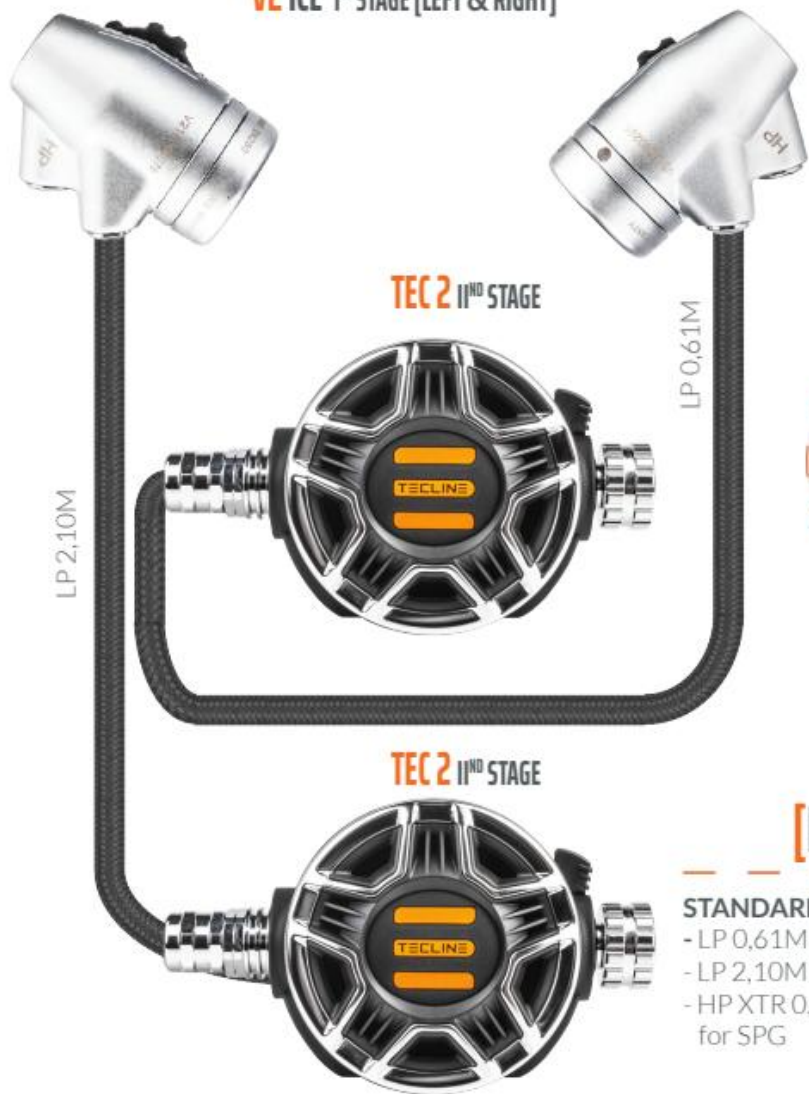


[DEDICATED FOR:
SINGLE TANKS, DOUBLE VALVE
AND FOR DOUBLE TANKS  / *]

DIR SET V2 ICE*

[T15170]

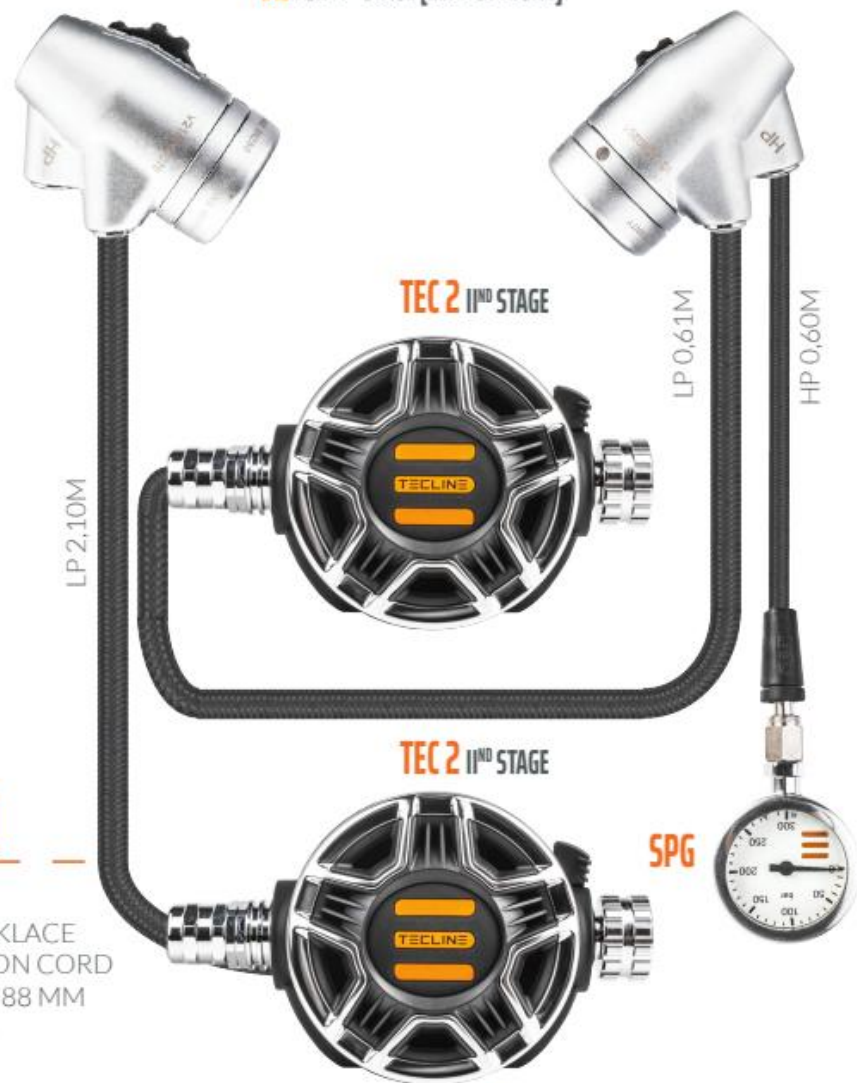
V2 ICE 1ST STAGE (LEFT & RIGHT)



DIR SET V2 ICE +SPG*

[T50180]

V2 ICE 1ST STAGE (LEFT & RIGHT)



[EN250: 2014 CE1463]

STANDARD HOSES*:

- LP 0,61M PROFLEX
- LP 2,10M PROFLEX
- HP XTR 0,60M for SPG

EXTRAS:

- BUNGEE NECKLACE
- ORANGE NYLON CORD
- 2x BOLT-SNAP 88 MM
- TECLINE BAG

[DEDICATED FOR: DOUBLE TANKS AND SINGLE TANKS, DOUBLE VALVE



TECLINE CONFIGURATIONS: STREAMLINED HOSE ROUTING

[THE PERFECT CONFIGURATION]

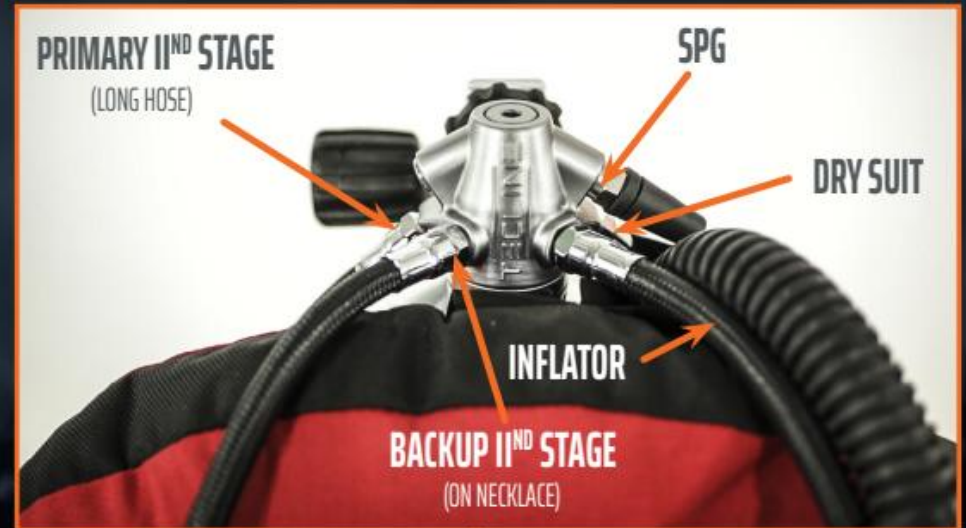


[EN250: 2014 CE1463]

[SEMI TEC II]



[SEMI TEC I/REC]



[DIR SET DOUBLE TANKS]



[TREASURES ARE WAITING...]

[...TO BE DISCOVERED]

AUTHORIZED DISTRIBUTOR

TECLINE


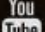


 teclinediving.eu  [teclineacademy](https://www.youtube.com/teclineacademy)  [teclinediving](https://www.instagram.com/teclinediving)  [tecline](https://www.facebook.com/tecline)

Photo: TOMASZ PŁOCIŃSKI / Design & Product Photo: STUDIO-A-PROPOS.COM